

Half Slim SSD

IHSS316



The ADATA IHSS316 industrial-grade Half Slim (MO-297) SSD is equipped with 112-layer 3D TLC (BiCS5) NAND flash for excellent read/write speeds of up to 560/520MB/s, and is available in capacities ranging from 128GB to 2TB . With support for LDPC (Low-Density Parity-Check) error correcting code technology, IHSS316 SSDs can detect and fix errors to ensure data integrity and thus enjoy extended lifespans. These SSDs are purpose-made for industrial computing, embedded applications, surveillance, healthcare, defense, and general automation. To ensure SSD quality, compatibility, and reliability, all IHSS316 SSDs undergo ADATA's SSD validation process, covering functionality testing and reliability validation.

Features

- 112-layer 3D TLC (BiCS5) NAND Flash for higher capacities and greater durability
- Complies with JEDEC MO-297 specifications
- Space-saving half-height design
- 3K P/E cycle rating for great durability and reliability
- Suitable for industrial computing, embedded applications, surveillance, healthcare, defense, and general automation

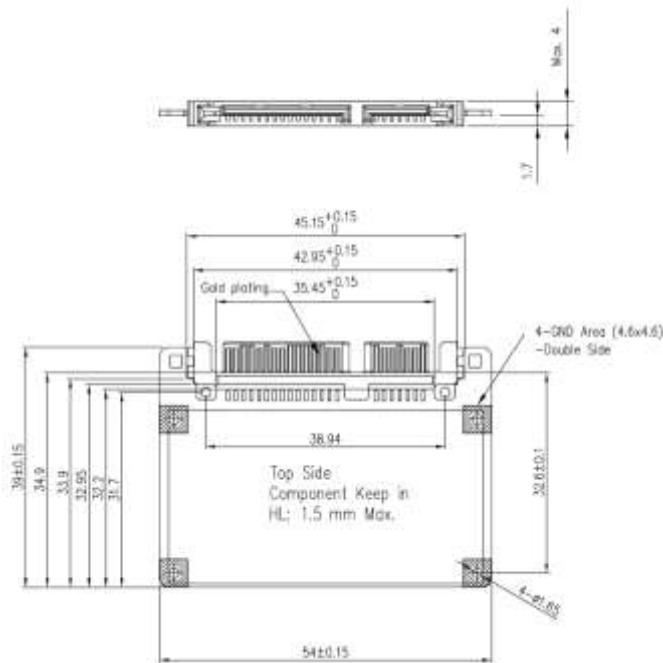
Ordering Information

Operating Temp.	128GB	256GB	512GB	1TB	2TB
0°C to 70°C	IHSS316-128GCTB5	IHSS316-256GCTB5	IHSS316-512GCTB5	IHSS316-001TCTB5	IHSS316-002TCTB5

Specifications

Model	IHSS316
Form Factor	Half Slim (MO-297)
Capacity	128GB – 2TB
Interface	SATA III 6.0Gbps
Flash Type	112L 3D TLC
Dimensions (L x W x H)	54 x 39 x 4 mm
Sequential Read (Max.)	560MB/s
Sequential Write (Max.)	520MB/s
Operating Temperature (Standard)	0°C to 70°C
Operating Voltage	5V
Power Consumption (Max.)	1.32W
Shock Resistance	1500G/0.5ms, Half Sine Wave
Operating Humidity	5%-95% RH, non-condensing
Vibration Resistance	20G (20-2000Hz)
Technologies	LDPC ECC, RAID Engine, Wear Leveling, TRIM command, Thermal Throttling, S.M.A.R.T. Monitor, SLC Cache, ESD Support (IEC/EN 61000-4-2 level 4), Bad block management

Diagram



Unit: mm

Contact Us

HQ (Taiwan):

T: +886-8228-0886

E: IA_Global@adata.com

US:

T: +1-714-332-8708

E: IASales_us@adata.com

EU:

T: +49-899-0405-296

China

T: +86-21-6233-1010

E: IASales_cn@adata.com

JP:

T: +81-3-5807-0011

E: IASales_jp@adata.com

APAC/MEA:

E: IASales_apacmea@adata.com